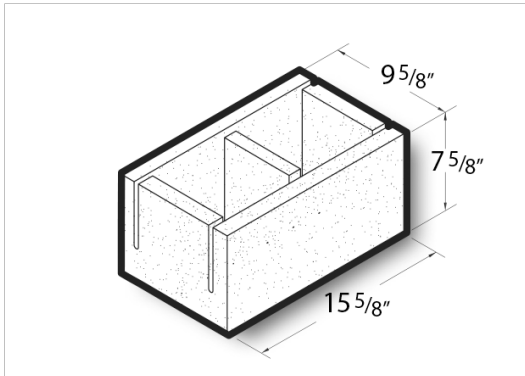


10x8x16 Knock-Out Bond Beam

Product No: 101003100



10x8x16 Knock-Out Bond Beam is a standard concrete masonry unit (CMU) that exceeds ASTM C90 standard specifications in all weight classifications. [Contact](#) your Best Block representative for special requests and additional options.

- Available in medium, normal, and light-weight varieties
- Competitively priced and produced locally.
- Concrete blocks are naturally fire-resistant, highly durable, and its mass creates energy-efficient wall systems.
- Item weight and pallet count may vary by location.
- [Contact](#) your Best Block representative for more information.

Unit(s)

Product No.	101003100
Weight/Block:	41.5
Block/Pallet:	60
Pallet Weight:	2490