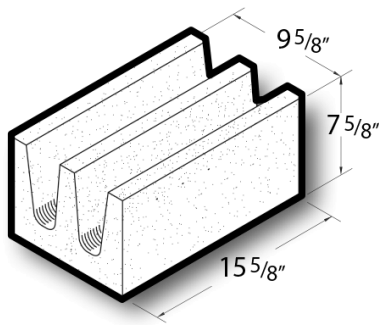


10x8x16 Solid Bottom Bond Beam Block

Product No: 101002100



10x8x16 Solid Bottom Bond Beam Block is a standard concrete masonry unit (CMU) that exceeds ASTM C90 standard specifications in all weight classifications. [Contact](#) your Best Block representative for special requests and additional options.

- Available in medium, normal, and light-weight varieties
- Competitively priced and produced locally.
- Concrete blocks are naturally fire-resistant, highly durable, and its mass creates energy-efficient wall systems.
- Item weight and pallet count may vary by location.
- [Contact](#) your Best Block representative for more information.

Unit(s)

Product No.	101002100
Weight/Block:	57
Block/Pallet:	54
Pallet Weight:	3138