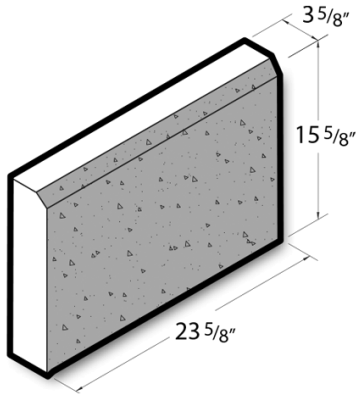


4x16x24 Ground Face, 1 Face Solid Block

Product No: 405081000



4x16x24 Ground Face, 1 Face Solid Block is a MAX Veneers Unit that delivers the natural aesthetic of stone at a cost-effective price point. All Ground Face MAX Veneers units are also available in Split Face options as well. [Contact](#) your Best Block representative for special requests and additional options.

- Available in medium, normal, and light-weight varieties
- Competitively priced and produced locally.
- Concrete blocks are naturally fire-resistant, highly durable, and its mass creates energy-efficient wall systems.
- Item weight and pallet count may vary by location.
- [Contact](#) your Best Block representative for more information.

Unit(s)

| | |
|-----------------------|-----------|
| Product No. | 405081000 |
| Weight/Block: | 103 |
| Block/Pallet: | 40 |
| Pallet Weight: | 4180 |