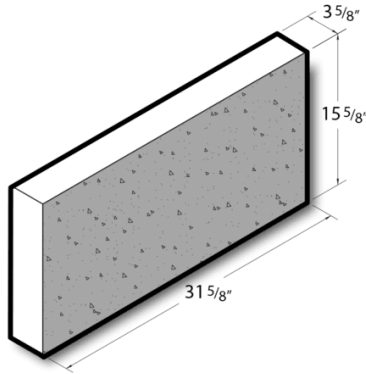


**4x16x32 Ground Face, 1 Face Solid Block**

**Product No: 405037000**



4x16x32 Ground Face, 1 Face Solid Block is a MAX Veneers Unit that delivers the natural aesthetic of stone at a cost-effective price point. All Ground Face MAX Veneers units are also available in Split Face options as well. [Contact](#) your Best Block representative for special requests and additional options.

- Available in medium, normal, and light-weight varieties
- Competitively priced and produced locally.
- Concrete blocks are naturally fire-resistant, highly durable, and its mass creates energy-efficient wall systems.
- Item weight and pallet count may vary by location.
- [Contact](#) your Best Block representative for more information.

**Unit(s)**

<b>Product No.</b>	405037000
<b>Weight/Block:</b>	138
<b>Block/Pallet:</b>	24
<b>Pallet Weight:</b>	3372