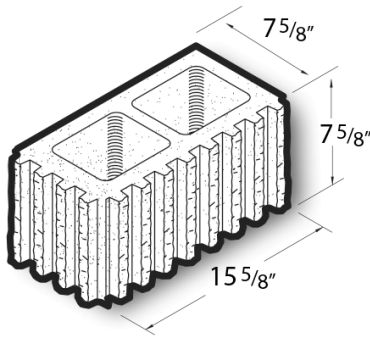


8x8x16 8 Rib Corner Split

Product No: 803096100



8x8x16 8 Rib Corner Split or Ribbed block includes vertical scores and come in a wide variety of styles and sizes that exceed ASTM C90 standard specifications in all weight classifications. [Contact](#) your Best Block representative for special requests and additional options.

- Available in medium, normal, and light-weight varieties
- Competitively priced and produced locally.
- Concrete blocks are naturally fire-resistant, highly durable, and its mass creates energy-efficient wall systems.
- Item weight and pallet count may vary by location.
- [Contact](#) your Best Block representative for more information.

Unit(s)

| | |
|-----------------------|-----------|
| Product No. | 803096100 |
| Weight/Block: | 42.5 |
| Block/Pallet: | 72 |
| Pallet Weight: | 3120 |