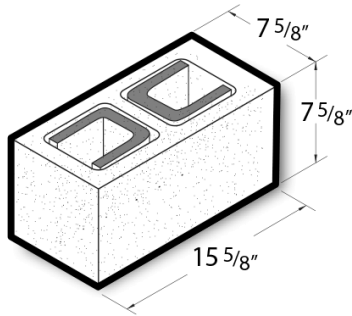


**8x8x16 Block with Korfil Inserts**

**Product No: 802500100**



8x8x16 Block with Korfil Inserts are also available in a variety of other shapes, sizes, and inserts for what your project requires. [Contact](#) your Best Block representative for special requests and additional options.

- Available in medium, normal, and light-weight varieties
- Competitively priced and produced locally.
- Concrete blocks are naturally fire-resistant, highly durable, and its mass creates energy-efficient wall systems.
- Item weight and pallet count may vary by location.
- [Contact](#) your Best Block representative for more information.

**Unit(s)**

<b>Product No.</b>	802500100
<b>Weight/Block:</b>	35
<b>Block/Pallet:</b>	72
<b>Pallet Weight:</b>	2580