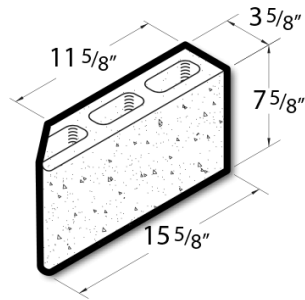


4x8x16 Regular, 1 Faced, Miltered Corner

Product No: 405082000AC



Best Block Concrete Masonry Units are available in 30, 45, and 60 degree angles in a variety shapes and sizes for what your project requires. Additional shapes, angles and chamfers available upon request. **Contact** your Best Block representative for special requests and additional options.

- Available in medium, normal, and light-weight varieties
- Competively priced and produced locally.
- Concrete blocks are naturally fire-resistant, highly durable, and its mass creates energy-efficient wall systems.
- Item weight and pallet count may vary by location.
- **Contact** your Best Block representative for more information.

Unit(s)

Product No.	405082000AC
Weight/Block:	22
Block/Pallet:	144
Pallet Weight:	3228