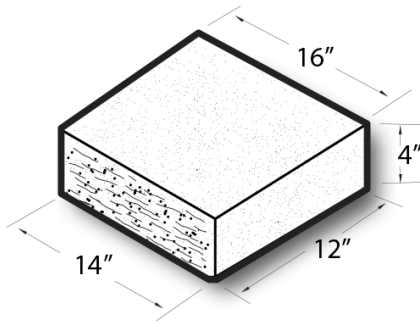


Versa-Lok™ B-Cap

Product No: 123542000



Versa-Lok™ B-Cap are designed to fulfill the needs of any landscape project, from both an aesthetic and a functional standpoint. Segmental retaining wall blocks are available in a wide variety of colors, sizes, and textures to create straight or curved lines, steps, and corners. [Contact](#) your Best Block representative for special requests and additional options.

- Available in medium, normal, and light-weight varieties
- Competitively priced and produced locally.
- Concrete blocks are naturally fire-resistant, highly durable, and its mass creates energy-efficient wall systems.
- Item weight and pallet count may vary by location.
- [Contact](#) your Best Block representative for more information.

Unit(s)

Product No.	123542000
Weight/Block:	50
Block/Pallet:	48
Pallet Weight:	2460